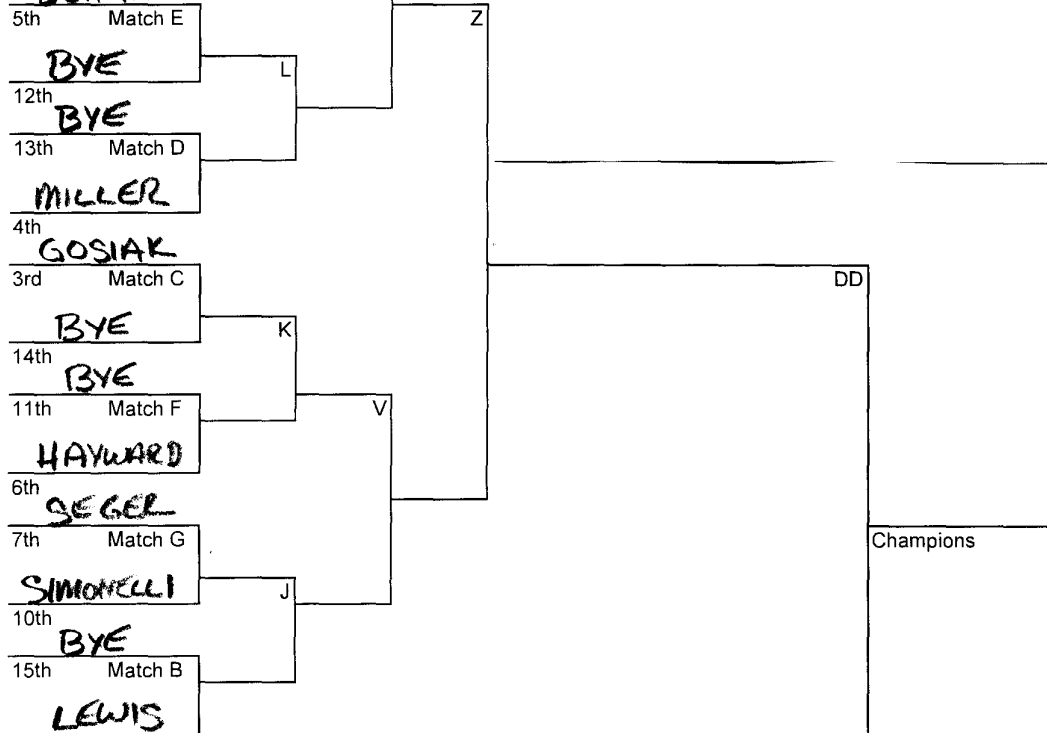


JAN 10 JAN 30

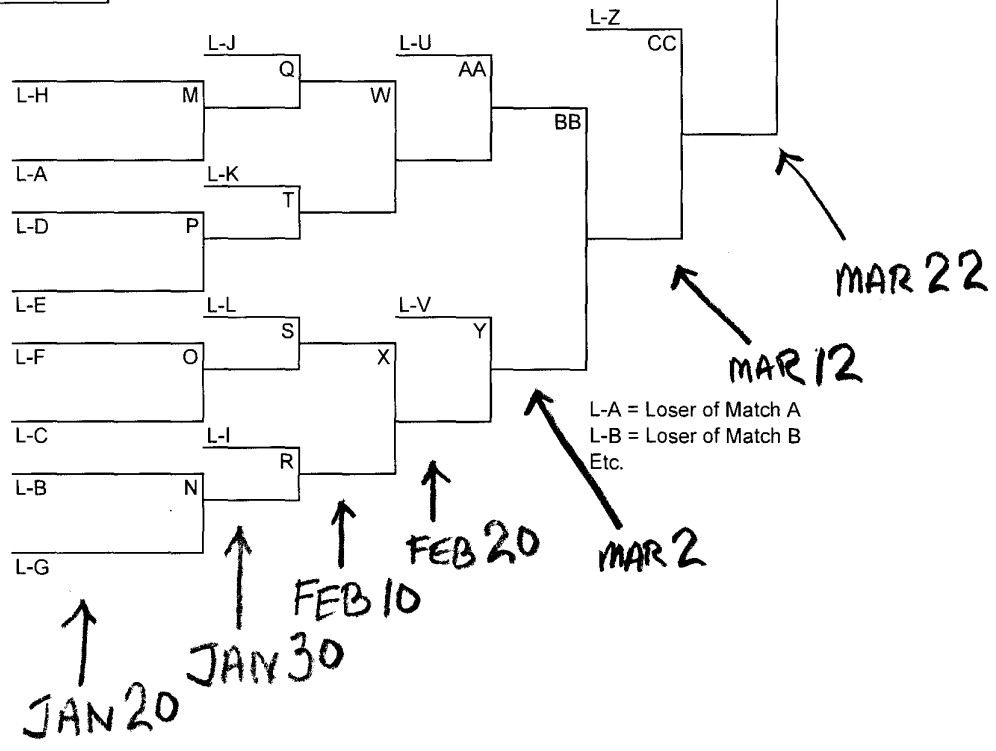
↓  
SANDERS  
1st Match A  
BYE  
16th  
SUNDRUD  
9th Match H  
WALK  
8th  
DEHAAN  
5th Match E  
BYE  
12th  
BYE  
13th Match D  
MILLER  
4th  
GOSIAK  
3rd Match C  
BYE  
14th  
BYE  
11th Match F  
HAYWARD  
6th  
SEGEL  
7th Match G  
SIMONELLI  
10th  
BYE  
15th Match B  
LEWIS  
2nd

MENS SINGLES CTC 2009-2010

Matches to be completed by date indicated.  
Scores to Al Wagner. Balls from Al before or  
after the match. No add 1st two sets, tiebreak to  
10 for 3rd set - unless BOTH players agree to  
a more strenuous format. Problems - call Al.



Champions



L-A = Loser of Match A  
L-B = Loser of Match B  
Etc.

↑  
JAN 20

↑  
JAN 30

↑  
FEB 10

↑  
FEB 20

↑  
MAR 2

↑  
MAR 12

↑  
MAR 22